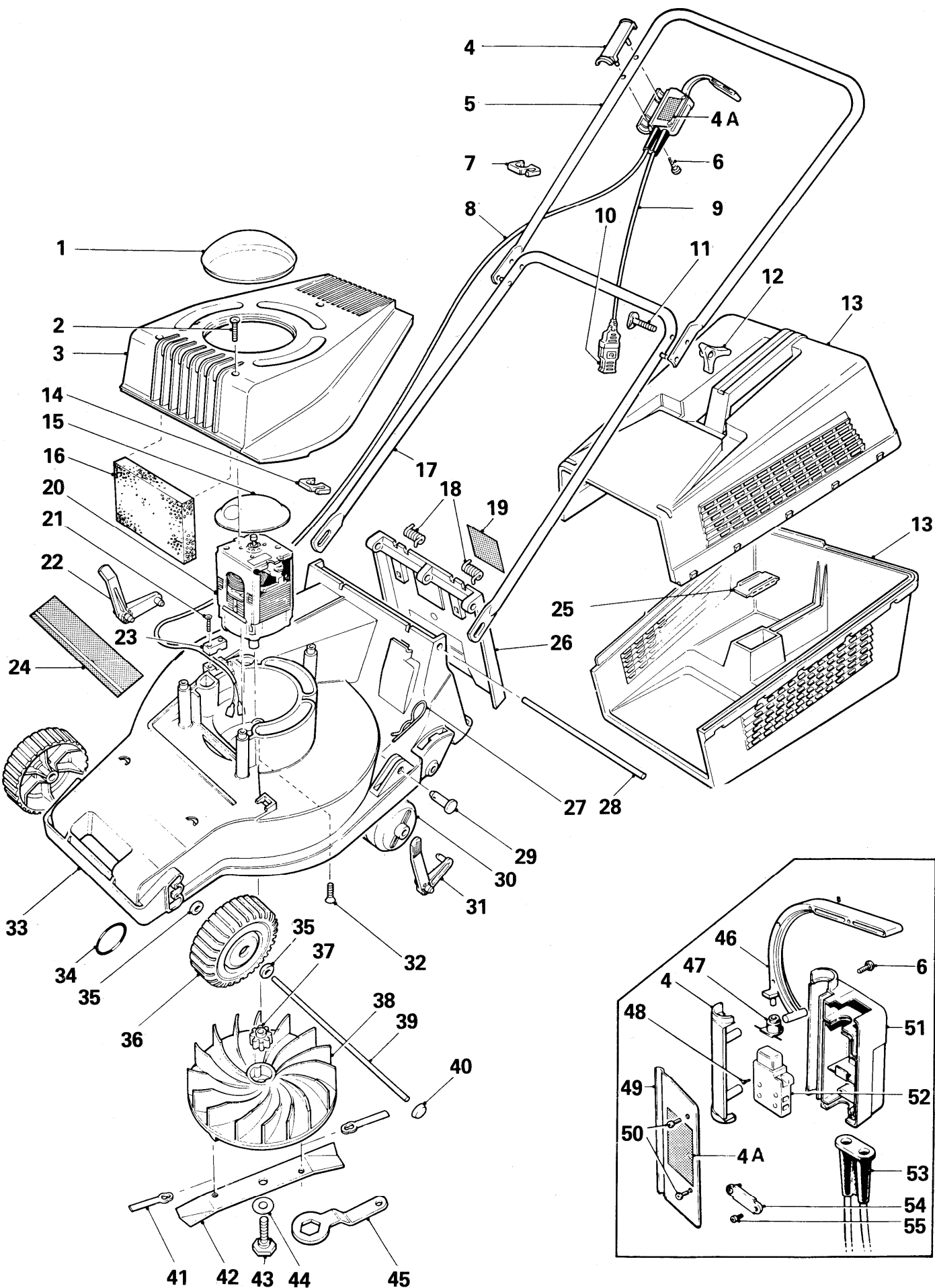




CHEVRON 300T 9643001 9643002





CHEVRON 300T 9643001 9643002

KEY No.	PART No.	DESCRIPTION	QUANTITY	COMMENTS/ APPLICATION	KEY No.	PART No.	DESCRIPTION	QUANTITY	COMMENTS/ APPLICATION
1	5126120-02/0	LENS	1		5126503-02/7	SWITCH CUT-OUT/LOCK OFF BUTTON	1	KOPP 2412.04 OR 2412.13	
2	5146824-00/7	SCREW	3	ALT USE 5147665-00/4					
3	5116939-00/9	COWLING ASSY	1		53	5141584-01/0	SLEEVE PROTECTION	1	
4	5126290-00/5	SWITCHBOX RETAINER 16mm	1		54	5146616-00/7	CLAMP CABLE	1	
4A	5147942-00/6	LABEL SWITCHBOX LOCK OFF	1		55	5146672-00/0	SCREW GKN POLYMATE	2	
5	5126242-03/0	HANDLE UPPER PLASTIC COATED	1						
6	5146672-00/0	SCREW GKN POLYMATE	2						
7	5140482-00/0	CABLE CLIP SMALL	1						
8	5147001-39/9	LEAD INTERNAL	1						
9	5136621-00/9	LEAD TERMINAL C/W PLUG	1						
10	5136662-00/3	SOCKET FEMALE 10 AMP	1						
11	5140607-00/2	BOLT HANDLE ¼ UNC x 45LG	2						
12	5140690-00/8	KNOB WING	2						
13	5126686-00/4	GRASSBOX (HALF)	2						
14	5140863-01/9	CABLE CLIP LARGE	1						
15	5136241-01/4	DISC WARNING ASSY	1						
16	5148176-00/0	FILTER	1						
17	5116937-00/3	HANDLE LOWER	1						
18	5136711-00/8	SPRING SAFETY FLAP	2						
19	5148208-00/1	LABEL WARNING ELECTRIC	1	GB.					
	5146516-00/9	LABEL WARNING ELECTRIC	1	EI.					
20	5126677-01/1	MOTOR 240 VOLT	1	GB.					
	5126677-02/9	MOTOR 220 VOLT	1	EI.					
21	5146824-00/7	SCREW	2	ALT USE 5147665-00/4					
22	5126675-01/5	LEVER H.O.C. R/H	1						
23	5136692-00/0	CABLE CLAMP	1						
24	5126679-00/9	LABEL FLYMO	1						
25	5137452-00/8	COVER PLATE	2						
26	5116875-00/5	FLAP	1						
27	5140423-00/4	PIN RETAINING	2						
28	5137484-00/1	HINGE PIN	1						
29	5140092-01/5	PIN LOCKING	2	ALT USE 5140092-00/7					
30	5137602-00/8	ROLLER ASSY	1						
31	5126675-00/7	LEVER H.O.C. L/H	1						
32	5148122-01/2	SCREW PLASTITE 10 x 19mm	4						
33	5106317-01/8	CHASSIS	1						
34	5148178-00/6	O RING	2						
35	5140281-04/8	WASHER	4						
36	5126674-00/0	WHEEL	2						
37	5126358-00/0	INSERT IMPELLER	1						
38	5137485-00/8	FAN ASSY/IMPELLER	1						
39	5137483-00/3	AXLE	1						
40	5148175-00/2	AXLE CAP	2						
41	5148257-02/4	CUTTER PLASTIC LONG LIFE	2						
42	5126676-00/5	BLADE 30cm	1						
43	5136242-01/2	BLADE BOLT	1						
44	5140516-00/5	ANTI FRICTION WASHER (PTFE)	1						
45	5130127-00/3	SPANNER	1						
46	5126633-00/6	SWITCH LEVER	1						
47	5130406-01/9	SEAL CONE	1						
48	5141605-00/5	SCREW	4						
49	5116495-00/2	SWITCHBOX COVER	1						
50	5146672-00/0	SCREW GKN POLYMATE	2						
51	5116494-03/9	SWITCHBOX BODY 16mm	1						
52	5137538-03/8	SWITCH ON/OFF LOCK/OFF	1						

PRODUCT VARIANT

9643501-25 GB

9643502-18 EIRE