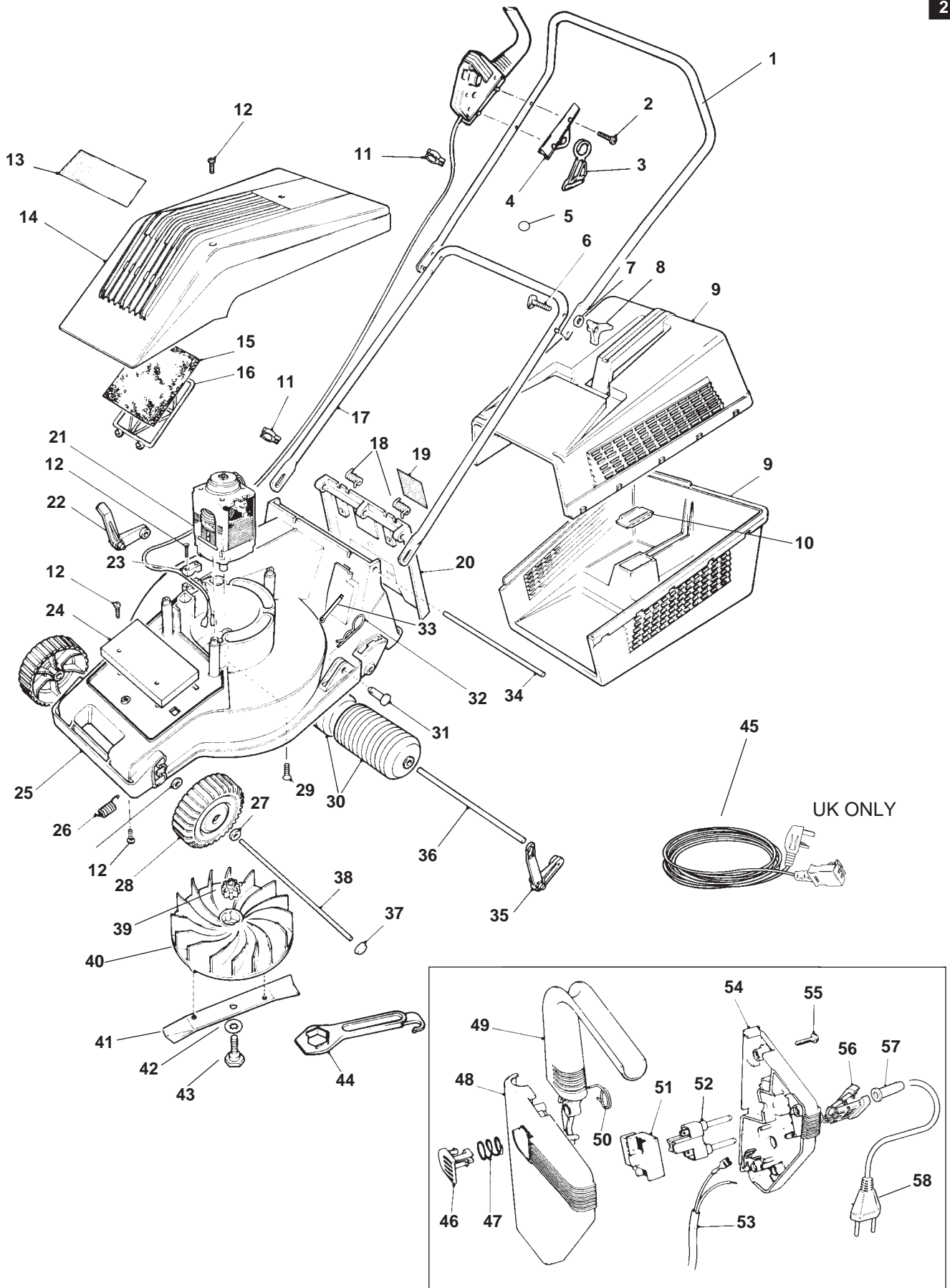


MODEL	Chevron RE300-6
PRODUCT NO.	9643015, 9643016, 9643017



MODEL	Chevron RE300-6
PRODUCT NO.	9643015, 9643016, 9643017



KEY PART NUMBER	DESCRIPTION	QTY		KEY PART NUMBER	DESCRIPTION	QTY
01	5126816-21/3 HANDLE/LABEL ASSY	1	GB.EI.AUS.NZ.	41	5126676-00/5 BLADE	1
	5117667-01/3 HANDLE,UPPER	1	F.B.NL.A.D.N.DK.S.CH.I.E.P.SF.	42	5148259-00/4 WASHER,ANTI-FRICTION	1
02	5146672-00/0 SCREW	2		43	5137608-00/5 BLADE BOLT & WASHER	1
03	5138024-00/4 CORD GUIDE	1	AUS.NZ.F.B.NL.A.	44	5126682-00/3 SPANNER/SCRAPER	1
	5126240-01/8 CORD GUIDE	1	N.DK.S.	45	5127250-03/2 MAINS LEAD	1 GB.EI.
04	5117657-01/4 RETAINER,SWITCHBOX	1			5126968-00/6 MAINS LEAD	1 AUS.NZ.
05	5148886-00/4 SPLIT RING	1	AUS.NZ.N.DK.S.SF.	46	5127008-00/0 LOCK OFF	1
06	5148672-00/8 HANDLE BOLT	2		47	5148658-00/7 SPRING,LOCK OFF	1
07	5140266-00/7 WASHER	2		48	5106539-01/7 SWITCHBOX UPPER	1
08	5137679-00/6 WING KNOB	2		49	5106481-01/2 LEVER	1
09	5126686-01/2 GRASSBOX HALF	2		50	5148657-00/9 SPRING,TORSION	1
10	5137452-00/8 COVER PLATE	2		51	5137685-00/3 SWITCH	1
11	5137750-00/5 CABLE CLIP	2		52	5137686-00/1 PIN RETAINER	1 GB.EI.
12	5146824-00/7 SCREW	8			5148784-00/1 PIN RETAINER	1 F.B.NL.A.N.DK.S.SF.D.E.P.I.
13	5127088-01/0 LABEL,FLYMO	1		53	5148814-07/1 LEAD	1 F.B.NL.A.N.DK.S.SF.D.E.P.I.
14	5117452-02/8 COWLING ASSY	1	GB.EI.		5148814-11/2 LEAD	1 AUS.NZ.CH.
	5117452-01/0 COWLING ASSY	1	F.B.NL.A.D.N.DK. S.CH.I.E.P.AUS.NZ.	54	5106538-00/1 SWITCHBOX LOWER	1 GB.EI.AUS.NZ.CH.
15	5137940-00/2 FILTER	1			5106540-00/7 SWITCHBOX LOWER	1 N.DK.S.F.B.NL.A.D.E.P.I.SF.
16	5148771-00/8 FILTER RETAINER	1		55	5146672-00/0 SCREW	4
17	5117082-04/9 HANDLE,LOWER	1		56	5117528-00/9 CABLE RETAINER	1 AUS.NZ.CH.
18	5136711-00/8 SPRING,SAFETY FLAP	2		57	5148741-00/1 PROTECTION SLEEVE	1 AUS.NZ.CH.
19	5138319-00/8 LABEL,WARNING	1		58	5148280-04/2 CONNECTING LEAD	1 AUS.NZ.
20	5116875-68/2 FLAP	1			5147000-22/7 CONNECTING LEAD	1 CH.
21	5150009-01/6 MOTOR,240V	1	GB.AUS.NZ. Use with product No: 9643015 ONLY			
	5150009-02/4 MOTOR,220V	1	F.B.NL.A.N.DK.S.SF.D.E.P.I.CH. Use with product No: 9643016 ONLY			
	5150009-00/8 MOTOR,230V	1	GB.EI.F.B.NL.A.D.E.P.I.N.DK.S. SF.CH.			
22	5117375-01/3 LEVER,H.O.C.,R/H	1	GB.EI.			
	5126724-01/1 LEVER,H.O.C.,R/H	1	AUS.NZ.F.B.NL.A.N.DK.S.SF.D.E. P.I.CH.			
23	5136692-01/8 CABLE CLAMP	1				
24	5148866-00/6 WEIGHT,BALLAST	1				
25	5106451-68/4 DECK	1				
26	5148738-00/7 SPRING,AXLE TENSION	2				
27	5140281-04/8 WASHER	8				
28	5126674-67/9 WHEEL	2	GB.EI.			
	5126674-67/9 WHEEL	4	AUS.NZ.F.B.NL.A.N.DK.S.SF.D.E. P.I.CH.			
29	5148122-01/2 SCREW	4				
30	5127060-00/1 REAR ROLLER	2	GB.EI.			
31	5140092-03/1 PIVOT PIN	2				
32	5140423-00/4 PIN,RETAINING	2				
33	5141424-01/9 SPLIT PIN	1	AUS.NZ.			
34	5137484-00/1 HINGE PIN	1				
35	5117375-00/5 LEVER,H.O.C.,L/H	1	GB.EI.			
	5126724-00/3 LEVER,H.O.C.,L/H	1	AUS.NZ.F.B.NL.A.N.DK.S.SF.D.E. P.I.CH.			
36	5137899-00/0 AXLE,ROLLER	1	GB,EI			
	5137520-00/2 REAR AXLE	1	AUS.NZ.F.B.NL.A.N.DK.S.SF.D.E. P.I.CH.			
37	5148175-00/2 AXLE CAP	2	GB.EI.			
	5148175-00/2 AXLE CAP	4	AUS.NZ.F.B.NL.A.N.DK.S.SF.D.E. P.I.CH.			
38	5137483-00/3 AXLE	1				
39	5126764-00/9 INSERT,IMPELLER	1				
40	5137485-00/8 IMPELLER	1				

PRODUCT APPLICATION

9643015-01 GB.	9643016-27 N.DK.S.SF.	9643017-01 GB.EI.
9643015-99 AUS.NZ.	9643016-72 F.B.NL.A.	9643017-22 CH.
9643016-22 CH.	9643016-81 N.DK.S.	9643017-27 N.DK.S.SF.
9643016-24 I.E.P.	9643016-85 F.B.NL.A.D.E.P.I.	9643017-85 F.B.NL.A.D.E.P.I.

WHERE NO APPLICATION DETAILS ARE SHOWN, PART APPLIES TO ALL COUNTRIES

A Austria; AUS Australia; B Belgium; CND Canada; CH Switzerland; D Germany; DK Denmark; E Spain; EI Eire; F France; GB Great Britain; I Italy; N Norway; NL Netherlands; NZ New Zealand; O/S Overseas; P Portugal; S Sweden; SF Finland; USA America; ZA South Africa