



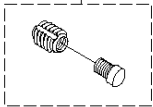
SPARE PARTS LIST

ROBOTIC LAWN MOWERS

1200R, 2016-03

G FLYMO 1200R
ACCESSORIES

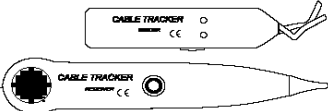
1



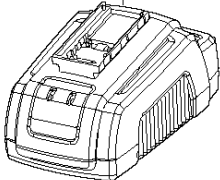
2



3



4



5

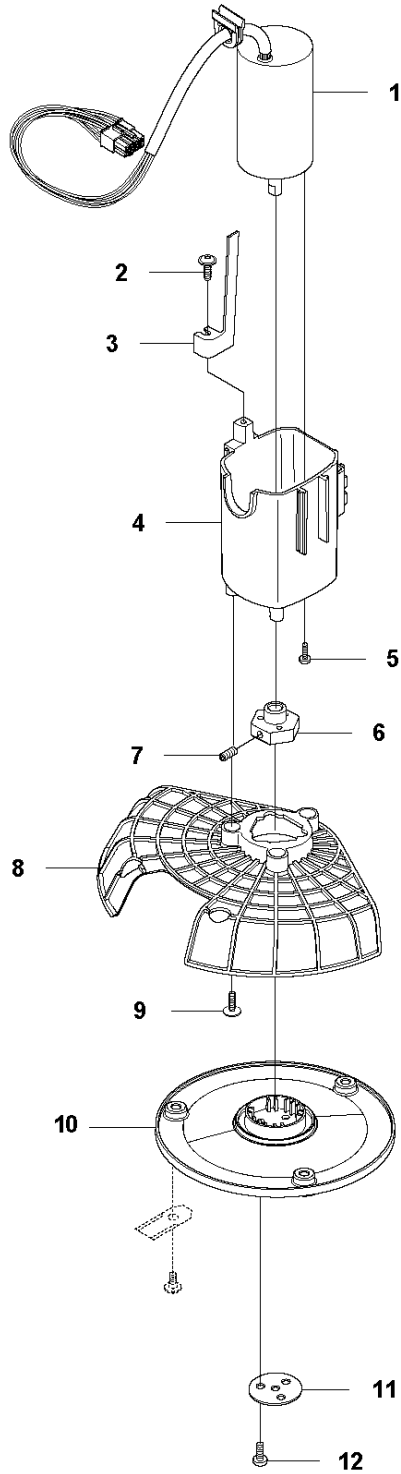


ACCESSORIES

1200R, 2016-03

Ref	Part No	Description	Remark	QTY KIT
1	581 16 57-01	THREAD INSERT	4 pcs	1
2	584 90 22-01	LABEL	Warranty Seal Label (10 pcs) Note: For warranty claims, please use part number for 1 pcs, see SB	1
3	577 60 68-01	TEST EQUIPMENT		1
4	588 40 84-01	CHARGER		1
5	588 20 26-01	CABLE ASSY		1

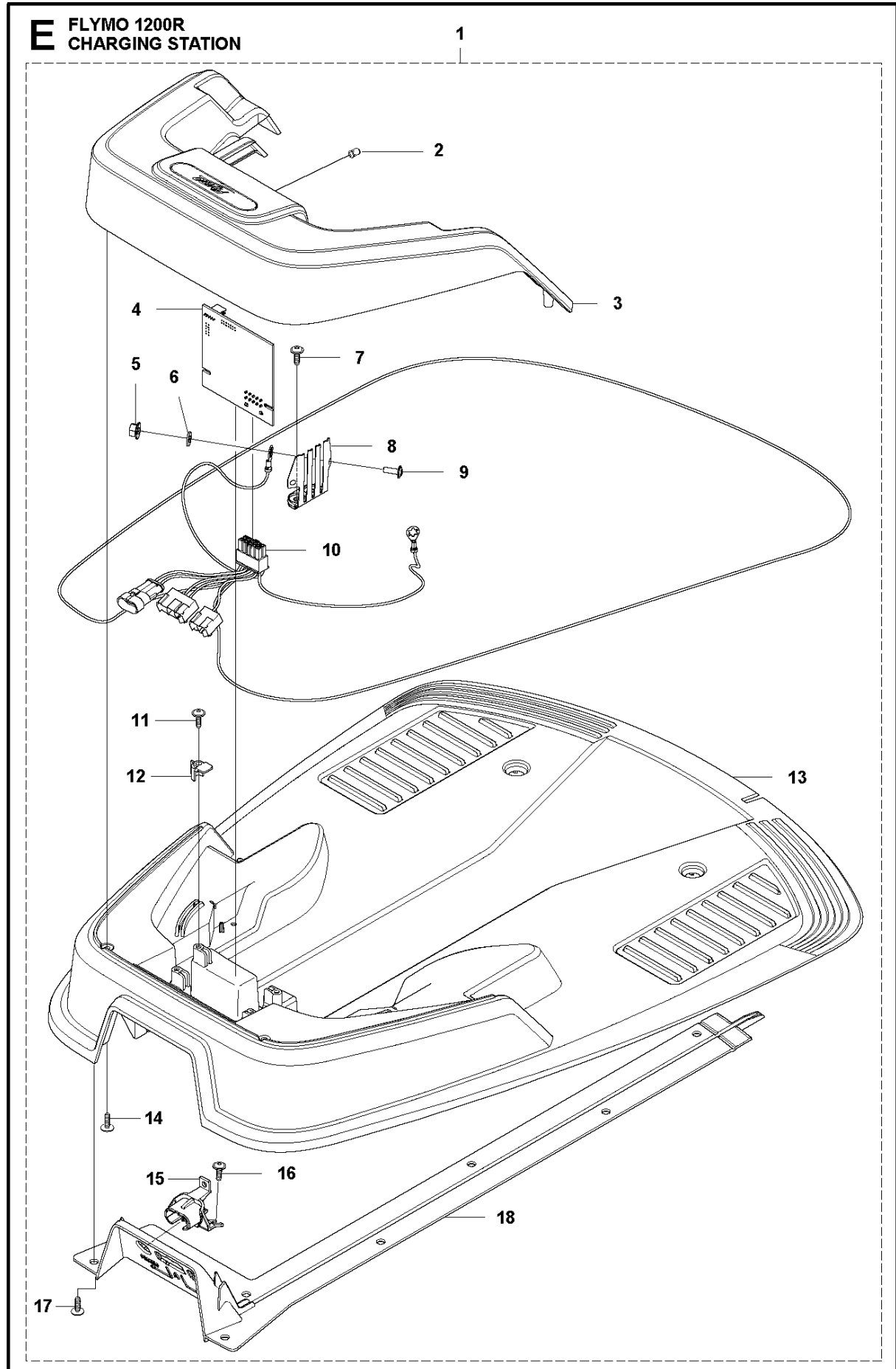
D FLYMO 1200R
BLADE MOTOR & CUTTING EQUIPMENT



BLADE MOTOR & CUTTING EQUIPMENT

1200R, 2016-03

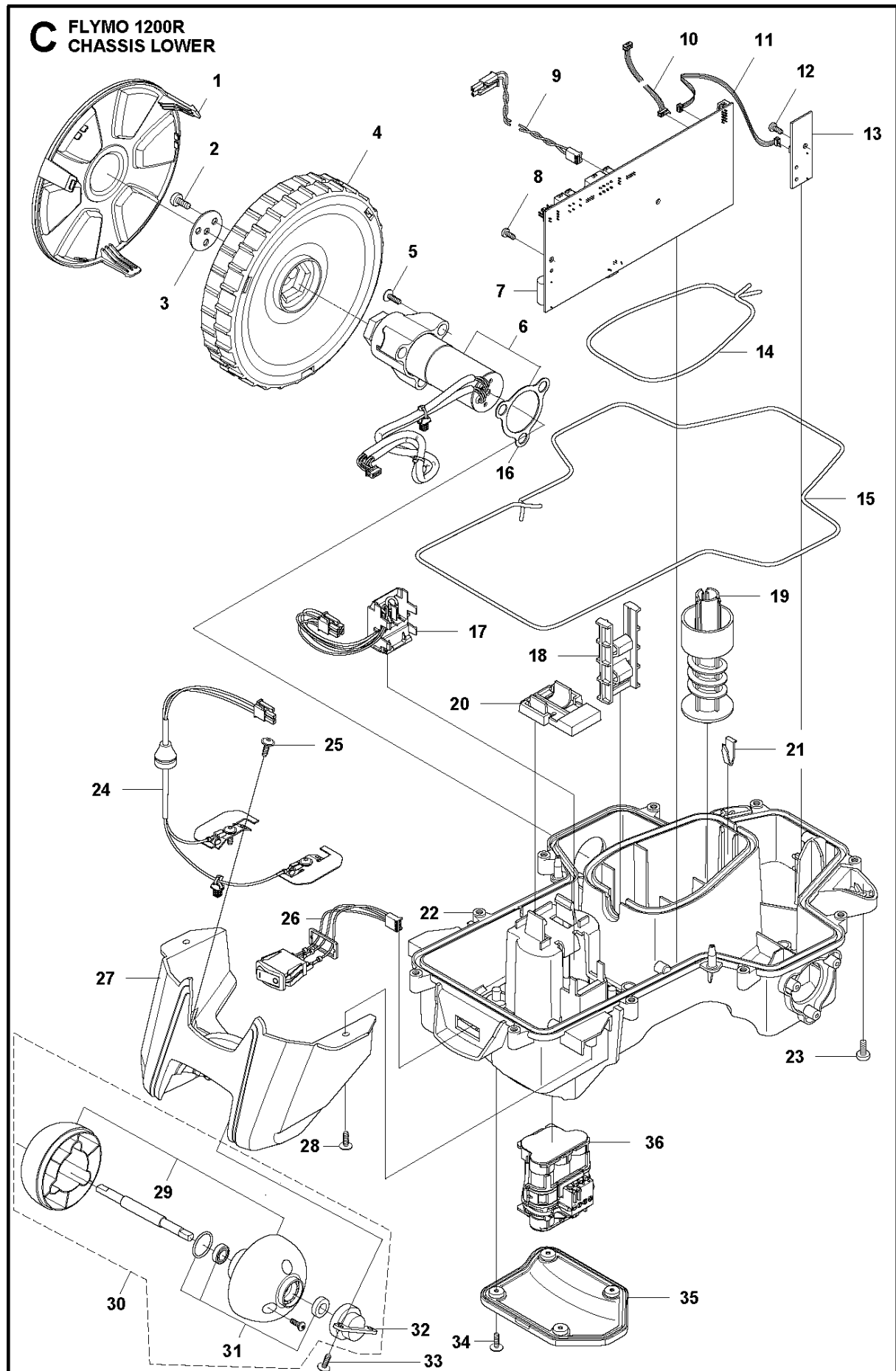
Ref	Part No	Description	Remark	QTY KIT
1	584 98 93-02	MOTOR	Cutting Motor	1
2	575 54 33-14	SCREW	Grey (14 mm)	1
3	574 50 35-01	HEIGHT INDICATOR		1
4	581 02 03-01	MOTOR HOUSING		1
5	576 21 38-01	SCREW ITPANM		3
6	574 37 35-01	HUB		1
7	576 21 35-01	SCREW IHSETM		1
8	577 85 02-05	GUARD		1
9	575 54 33-14	SCREW	Grey (14 mm)	3
10	574 48 71-01	CUTTING DISC		1
11	577 09 32-01	WASHER		1
12	576 21 38-01	SCREW ITPANM		3



CHARGING STATION

1200R, 2016-03

Ref	Part No	Description	Remark	QTY KIT	
1	577 97 23-10	CHARGING STATION		1	
2	535 12 87-02	DIODE LENS		1	1,3
3	579 39 23-02	KIT		1	1
4	588 88 25-01	PRINTED CIRCUIT ASSY		1	1
5	588 22 21-01	HEXAGON NUT FLANGE		2	1
6	535 08 74-01	WASHER		2	1
7	575 54 33-14	SCREW	Grey (14 mm)	2	1
8	587 12 51-01	CONTACT		2	1
9	588 22 22-01	SCREW ITXPANM		2	1
10	588 49 03-02	CABLE ASSY		1	1
11	575 54 33-14	SCREW	Grey (14 mm)	2	1
12	535 12 79-01	BRACKET		2	1
13	581 55 19-02	CHARGING STATION		1	1
14	575 54 33-14	SCREW	Grey (14 mm)	4	1
15	587 87 85-01	BRACKET		1	1
16	575 54 33-14	SCREW	Grey (14 mm)	2	1
17	575 54 33-14	SCREW	Grey (14 mm)	4	1
18	587 87 84-01	GUIDE		1	1

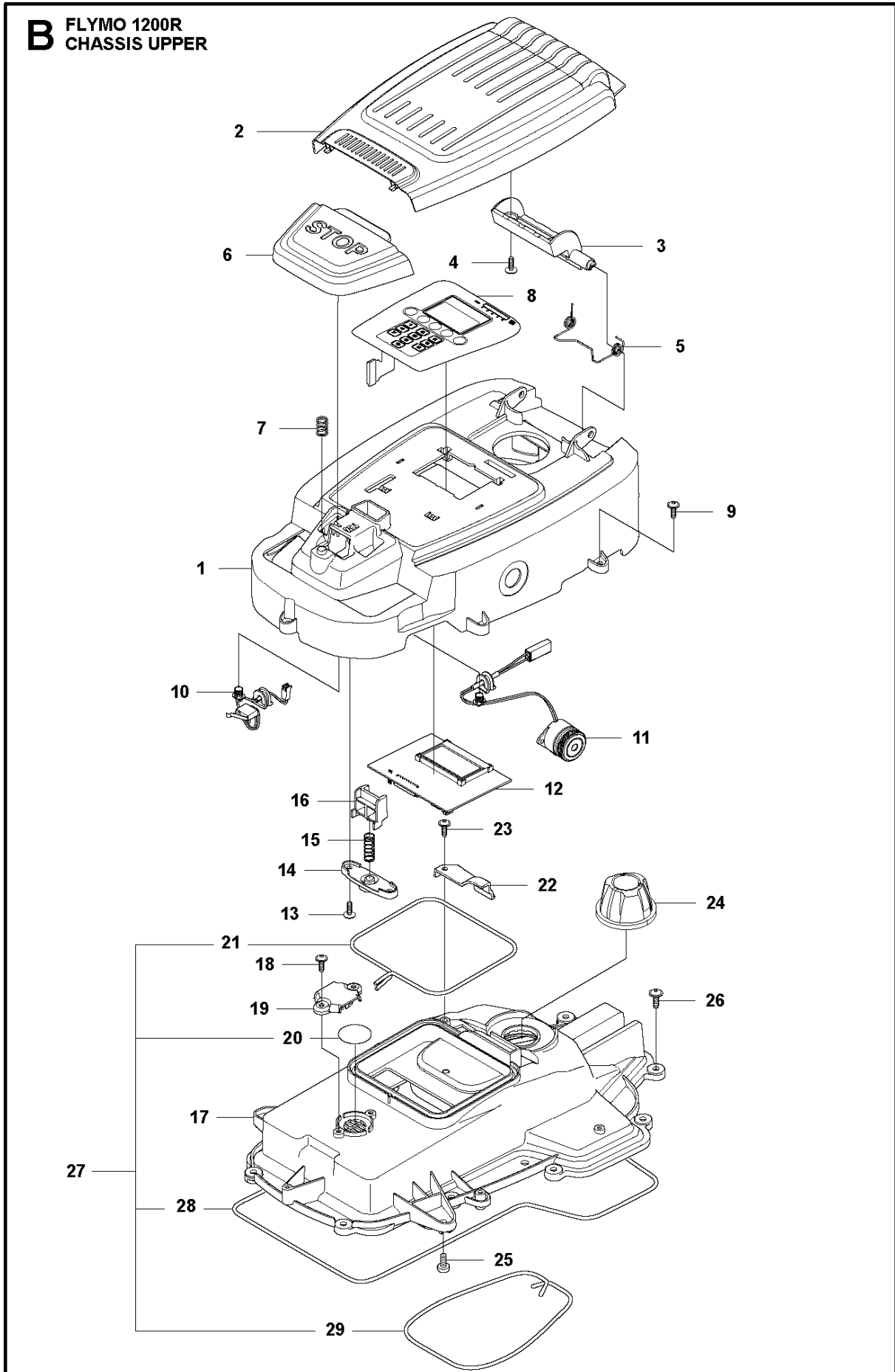


CHASSIS LOWER

1200R, 2016-03

Ref	Part No	Description	Remark	QTY	KIT
1	577 70 79-01	HUB CAP		2	
2	576 21 39-02	SCREW ITXPANM		6	
3	577 09 32-01	WASHER		2	
4	574 46 51-04	WHEEL		2	
5	575 54 33-14	SCREW	Grey (14 mm)	6	
6	577 83 99-04	WHEEL MOTOR ASSY		2	
7	588 62 88-03	PRINTED CIRCUIT ASSY		1	
8	535 13 03-10	SCREW ITXPANT	10 mm	2	
9	576 22 02-01	LOOM		1	
10	588 83 27-01	WIRING ASSY		1	
11	588 90 12-01	WIRING ASSY		1	
12	535 13 03-10	SCREW ITXPANT	10 mm	1	
13	588 57 21-01	PRINTED CIRCUIT ASSY		1	
14	577 75 36-01	KIT	Sealing Strip KIT (10 pcs) Note: For warranty claims, please use part number for 1 pcs, see SB	1	
15	577 84 36-01	SEALING STRIP	Sealing Strip KIT, Chassis (10 pcs) Note: For warranty claims, please use part number for 1 pcs, see SB	1	
16	574 37 37-01	GASKET		2	6
17	574 47 98-01	LOOM		1	
18	574 50 19-01	GUIDE RAIL		2	
19	574 48 46-01	SCREW		1	
20	575 40 82-01	LOCK		1	
21	577 10 32-01	LOCKING SPRING		1	
22	577 84 62-02	CHASSIS		1	
23	576 21 39-01	SCREW ITXPANM		2	
24	588 95 09-01	CABLE ASSY		1	
25	575 52 95-02	SCREW ITXPANTT	Grey (14 mm)	2	
26	579 70 87-01	CABLE ASSY		1	
27	574 46 72-02	HOUSING		1	
28	575 54 33-14	SCREW		3	
29	583 85 39-02	REAR WHEEL		1	30
30	578 27 51-03	REAR WHEEL		1	
31	578 27 52-01	REAR WHEEL	Bearing (X2), Sealing (X2), O-Ring (X1)	1	30
32	577 71 50-01	BEARING HOUSING		2	30
33	575 54 33-14	SCREW	Grey (14 mm)	4	
34	574 45 01-01	SCREW ITXPANT		4	
35	574 46 73-01	COVER		1	
36	574 47 68-01	BATTERY		1	

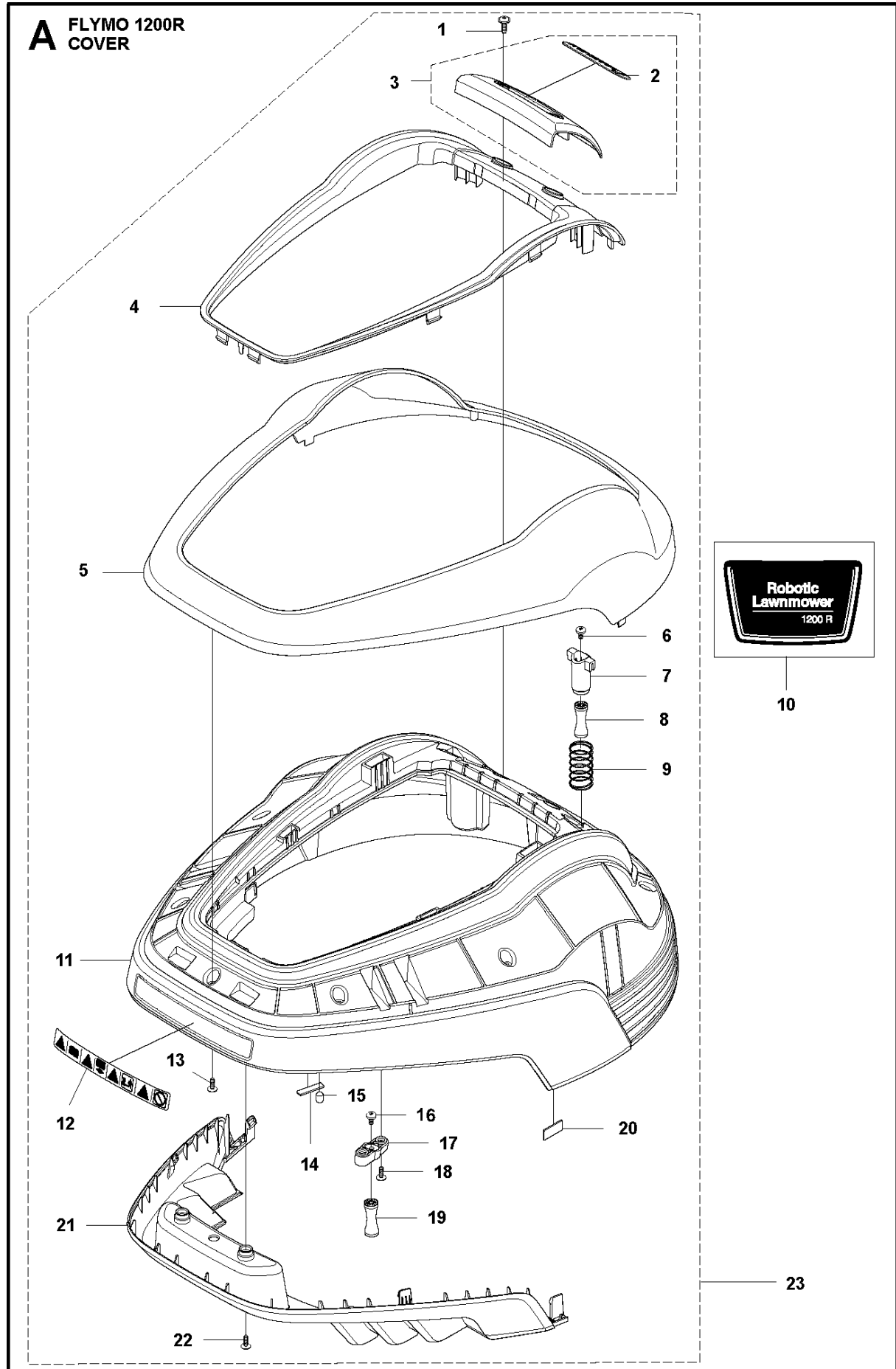
B FLYMO 1200R
CHASSIS UPPER



CHASSIS UPPER

1200R, 2016-03

Ref	Part No	Description	Remark	QTY	KIT
1	579 39 19-04	KIT		1	
2	577 70 72-03	COVER		1	
3	577 70 78-01	HINGE		1	
4	575 54 33-14	SCREW	Grey (14 mm)	2	
5	578 44 52-01	SPRING		1	
6	577 70 66-01	BUTTON		1	
7	574 48 70-01	SPRING		1	
8	581 61 76-01	KEYBOARD		1	1
9	575 54 33-14	SCREW	Grey (14 mm)	5	
10	574 48 03-01	SWITCH		1	
11	574 47 59-01	BUZZER		1	
12	588 44 19-01	PRINTED CIRCUIT ASSY		1	
13	575 54 33-14	SCREW	Grey (14 mm)	2	
14	575 41 58-01	SPRING HOLDER		1	
15	576 24 22-01	SPRING		1	
16	575 40 90-01	LOCK		1	
17	579 39 20-02	KIT		1	
18	575 54 33-14	SCREW	Grey (14 mm)	2	
19	576 69 70-01	COVER		1	
20	577 75 37-01	KIT	10 pcs	1	
21	577 75 36-01	KIT	10 pcs	1	
22	576 05 39-01	COVER		1	
23	575 54 33-14	SCREW	Grey (14 mm)	1	
24	579 39 22-01	KIT		1	
25	576 21 39-01	SCREW ITXPANM		2	
26	574 45 01-01	SCREW ITXPANT		10	
27	588 40 70-01	SEAL KIT	Seal KIT incl. Sealing Strip Chassis (1 pcs), Sealing Strip Short (2 pcs), Air Filter (1 pcs)	1	
28	577 84 36-01	SEALING STRIP	Sealing Strip KIT, Chassis (10 pcs, Ø4 mm) Note: For warranty claims, please use part number for 1 pcs, see SB	1	
29	577 75 36-01	KIT	Sealing Strip KIT (10 pcs, Ø4 mm) Note: For warranty claims, please use part number for 1 pcs, see SB	1	

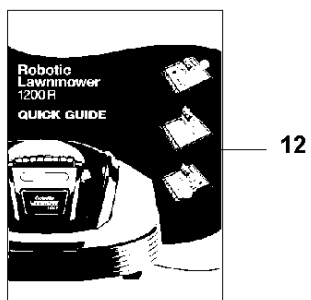
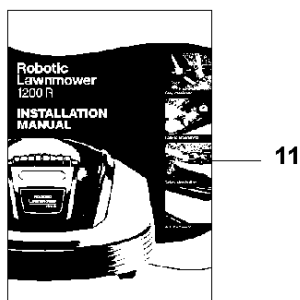
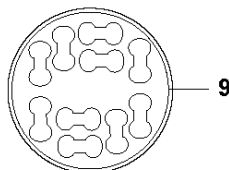
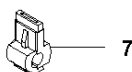
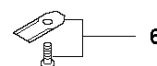
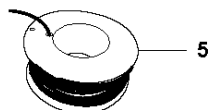
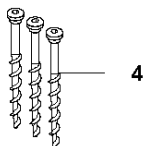
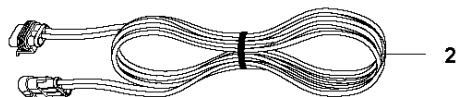
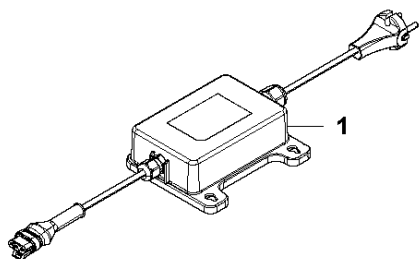


COVER

1200R, 2016-03

Ref	Part No	Description	Remark	QTY	KIT
1	575 54 33-14	SCREW	Grey (14 mm)	2	23
2	581 61 68-01	DECAL		1	3,23
3	579 39 21-04	PLATE KIT		1	23
4	577 70 76-02	FRAME		1	23
5	577 70 73-02	COVER		1	23
6	576 21 39-01	SCREW ITPANM		2	23
7	574 46 90-02	BRACKET		2	23
8	574 46 91-02	DAMPER		2	23
9	574 48 51-02	SPRING		2	23
10	581 61 69-01	LABEL		1	
11	579 39 17-01	KIT		1	23
12	586 35 97-01	LABEL		1	11, 23
13	575 54 33-14	SCREW	Grey (14 mm)	7	23
14	576 03 01-01	PLATE		1	11,23
15	576 18 33-01	MAGNET		1	11,23
16	576 21 39-01	SCREW ITPANM		2	23
17	575 41 60-02	SUPPORT CLAMP		2	23
18	575 54 33-14	SCREW	Grey (14 mm)	4	23
19	574 46 91-02	DAMPER		2	23
20	576 18 32-01	MAGNET		1	11,23
21	577 70 65-01	BUMPER		1	23
22	575 54 33-14	SCREW	Grey (14 mm)	2	23
23	577 95 53-06	BODY SYSTEM	Cover KIT Complete excl. Model Decal	1	

F FLYMO 1200R
INSTALLATION ACCESSORIES



INSTALLATION ACCESSORIES

1200R, 2016-03

Ref	Part No	Description	Remark	QTY KIT
1	584 86 26-02	POWER UNIT	UK	1
2	579 82 51-01	CABLE ASSY	20 m	1
2	579 82 51-02	CABLE ASSY	10 m	1
2	579 82 51-03	CABLE ASSY	3 m	1
3	583 97 34-01	STAPLE	100 pcs	1
4	575 23 86-02	SCREW KIT	Anchor screw (3 pcs) incl. Allen Key	1
5	580 66 20-02	WIRE	150 m	1
5	580 66 20-03	WIRE	200 m	1
5	580 66 20-01	WIRE	250 m	1
5	580 66 20-04	WIRE	800 m	1
6	577 86 46-02	BLADE SET	9 pcs	1
6	577 60 65-04	BLADE SET	45 pcs	1
6	577 60 66-03	BLADE SET	300 pcs	1
7	535 12 90-01	COUPLER	1 pcs	1
8	501 98 02-01	COUPLER	1 pcs	1
8	501 98 02-02	COUPLER	50 pcs	1
9	586 27 79-01	STICKER	10 pcs	1
10	502 40 53-01	LABEL		1
11	115 78 75-26	OPERATOR'S MANUAL	English	1
12	115 78 76-26	QUICK GUIDE	English	1