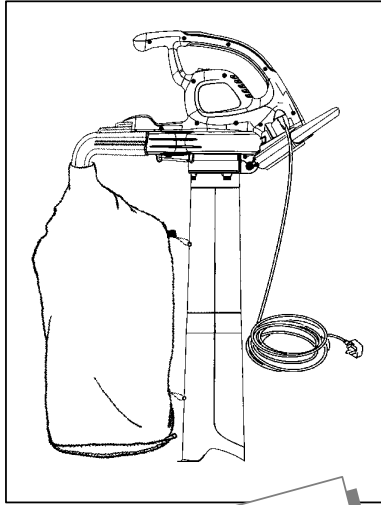
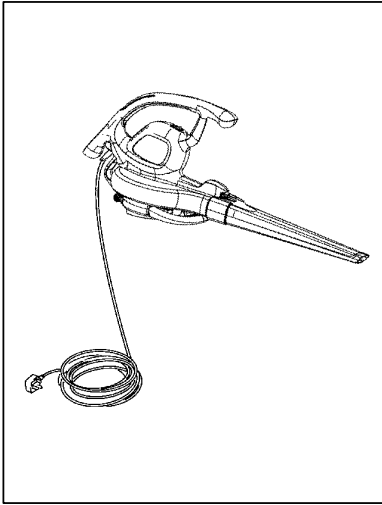





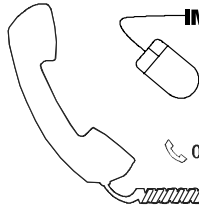
PowerVac 3000 (PV3000)



Original instructions



 **WARNING**
IMPORTANT INFORMATION
Read before use
& retain for future reference



IMPORTANT Please register your product warranty on line.

To register your warranty and for all your parts requirements please visit

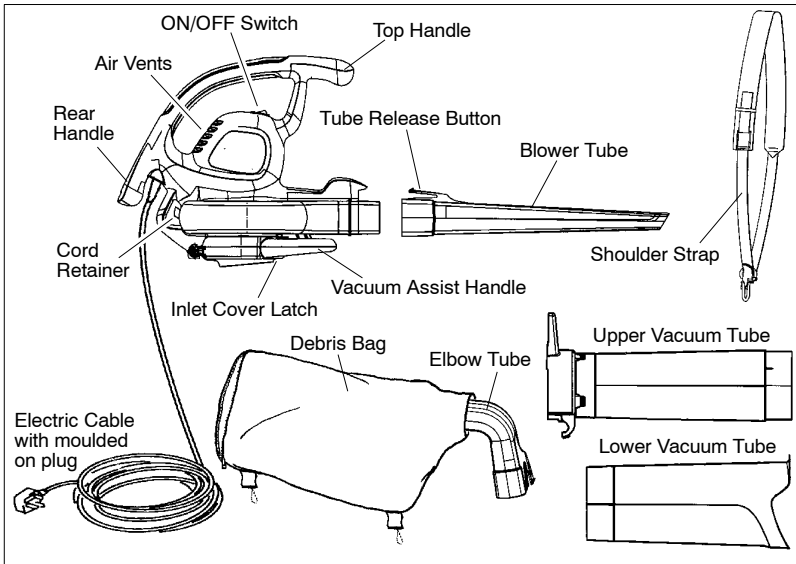
www.flymo.com

For all other enquiries

☎ 0844 844 4558 **UK** 1800 882 350 **ROI**

✉ customer.services@husqvarna.co.uk

Carton Contents



IMPORTANT! Please check the contents of the carton are correct **BEFORE** assembling your new Flymo product.

IF ANY PARTS ARE MISSING CONTACT:

Husqvarna UK Ltd. Customer Service Department direct
Telephone: 0844 844 4558 **UK** 1 800 882 350 **ROI** Fax: 01325 302530

Safety

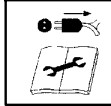


WARNING: If not used properly this product can be dangerous. The warnings and safety instructions must be followed to ensure reasonable safety and efficiency in using this product. The operator is responsible for following the warnings and instructions in this manual and on the product. Never use the product unless the guards provided by the manufacturer are in the correct position.

Explanation of symbols on the product



WARNING: This unit can be dangerous! Careless or improper use can cause serious injury.



Switch off! Remove plug from mains before adjusting, cleaning or if cable is entangled or damaged.



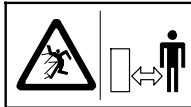
Read the user instructions carefully to make sure you understand all of the controls and what they do.



The use of eye and ear protection is recommended.



Do not expose to rain. Do not leave the product outdoors while it is raining.



Keep bystanders away.

General Power Tool Safety Warnings



WARNING: Read all safety warnings and all instructions. Failure to follow the warnings and instructions may result in electric shock, fire and/or serious injury.

Save all warnings and instructions for future reference.

The term "power tool" in the warnings refers to your mains-operated (corded) power tool.

1) Work area safety

- a) **This product is not intended for use by persons (including children) with reduced physical, sensory or mental capabilities, or lack of experience and knowledge, unless they have been given supervision or instruction concerning the use of the product by a person responsible for their safety. Children should be supervised to ensure that they do not play with the product. Local regulations may restrict the age of the operator. Never allow children or people unfamiliar with these instructions to use the product. Power tools are dangerous in the hands of untrained users.**
- b) **Never operate the product while people, especially children, or pets are nearby. Distractions can cause you to lose control.**
- c) **Never blow debris in the direction of bystanders. The operator or user is responsible for accidents or hazards occurring to other people or their property.**
- d) **Keep work area clean and well lit. Cluttered or dark areas invite accidents.**

- e) **Do not operate power tools in explosive atmospheres, such as in the presence of flammable liquids, gases or dust. Power tools create sparks which may ignite the dust or fumes.**

2) Electrical safety

- a) **Power tool plugs must match the outlet. Never modify the plug in any way. Do not use any adaptor plugs with earthed (grounded) power tools. Use only on AC mains supply voltage shown on the product rating label. Unmodified plugs and matching outlets will reduce risk of electric shock.**
- b) **Avoid body contact with earthed or grounded surfaces, such as pipes, radiators, ranges and refrigerators. There is an increased risk of electric shock if your body is earthed or grounded.**
- c) **Do not expose power tools to rain or wet conditions. Water entering a power tool will increase the risk electric shock.**
- d) **Do not abuse the cord. Never use the cord for carrying, pulling or unplugging the power tool. Keep cord away from heat, oil, sharp edges or moving parts. Before use, examine cord for damage. Replace cord if there are signs of damage or ageing. Do not use the product if the cord is damaged or worn. Immediately disconnect from the mains electricity supply if the cord is cut, or the insulation is damaged. Do not touch the electric cord until the electrical supply has been disconnected. Do not repair a cut or damaged cord. Replace it with a new one. Damaged or entangled cords increase the risk of electric shock.**

- e) **The electric cord must be uncoiled.** *Coiled cord can overheat and reduce the efficiency of the product. Always wind cord carefully, avoiding kinks.*
- f) **When operating a power tool outdoors, use an extension cord suitable for outdoor use fitted with a coupler according to IEC 60320-2-3.** *Use of a cord suitable for outdoor use reduces the risk of electric shock.*
- g) **If operating a power tool in a damp location is unavoidable, use a residual current device (RCD) protected supply with a tripping current of not more than 30 mA.** *Even with a RCD installed, 100% safety cannot be guaranteed and safe working practices must be followed at all times. Check your RCD every time you use your product. Use of an RCD reduces the risk of electric shock.*
- 3) **Personal safety**
- a) **Stay alert, watch what you are doing and use common sense when operating a power tool. Do not use a power tool while you are tired or under the influence of drugs, alcohol or medication.** *A moment of inattention while operating power tools may result in serious personal injury.*
- b) **Use personal protective equipment. Always wear eye protection and hearing protection. To prevent dust irritation, the use of a dusk mask is recommended.** *Protective equipment such as dust mask, non-skid safety shoes, hard hat, or hearing protection used for appropriate conditions will reduce personal injuries.*
- c) **Prevent unintentional starting. Ensure the switch is in the off position before connecting to power source, picking up or carrying the tool.** *Carrying power tools with your finger on the switch or energising power tools that have the switch on invites accidents.*
- d) **Do not overreach. Keep proper footing and balance at all times. On slopes, be extra careful and wear non-slip footwear. Do not walk backwards while operating your product. Walk, never run. Do not use ladders while operating the product.**
- This enables better control of the power tool in unexpected situations.*
- e) **Dress properly. Always wear suitable clothing, gloves, and stout shoes. Do not wear loose clothing or jewellery. Keep your hair, clothing and gloves away from moving parts.** *Loose clothes, jewellery or long hair can be caught in moving parts.*
- 4) **Power tool use and care**
- a) **Only use the product in the manner and for the functions described in these instructions. Do not force the power tool. Use the correct power tool for your application.** *The correct power tool will do the job better and safer at the rate for which it was designed.*
- b) **Always make sure your product is in a safe operating condition before use. Do not use the power tool if the switch does not turn it on and off. Know how to stop the product quickly in an emergency.** *Any power tool that cannot be controlled with the switch is dangerous and must be repaired.*
- c) **The impeller continues to rotate after your product has been switched off.** *The motor must be stopped and the impeller blade no longer turning to avoid serious injury from the rotating blades.*
- d) **Disconnect the plug from the power source:**
- before removing or replacing fully assembled debris bag;
 - before leaving the product unattended for any period;
 - before clearing a blockage;
 - before checking, cleaning or working on the appliance;
 - if the product starts to vibrate abnormally. Check immediately. Excessive vibration can cause injury.
 - before passing to another person.
- e) **Store idle power tools out of the reach of children and do not allow persons unfamiliar with the power tool or these instructions to operate the power tool.** *Power tools are dangerous in the hands of untrained users.*
- f) **Maintain power tools. Check for misalignment or binding of moving parts, breakage of parts and any other condition that may affect the power tool's operation.**

If damaged, have the power tool repaired before use. Keep all cooling air inlets clear of debris. *Many accidents are caused by poorly maintained power tools.*

- g) **Use the power tool and accessories in accordance with these instructions, taking into account the working conditions and the work to be performed. Use the product only in daylight or good artificial light. Use of the power tool for operations different from those intended could result in a hazardous situation.**
- 5) **Maintenance and storage**
Have your power tool serviced by a qualified repair person using only identical replacement parts. This will ensure that the safety of the power tool is maintained.
- Keep all nuts, bolts and screws tight to be sure the product is in a safe working condition.
 - Replace worn or damaged parts for safety.
 - Use only genuine replacement parts and accessories.
 - Inspect the debris bag regularly. If the debris bag becomes worn or damaged, replace.
 - Store in a cool dry place and out of reach of children. Do not store outdoors.

Blower safety warnings:

- **Inspect the area before using the unit.** *Remove all debris and hard objects such as rocks, glass, wire, etc., that can ricochet, be thrown, or otherwise cause injury or damage during operation.*
- **Never run the unit without the proper equipment attached.** *When used as a blower, always install a blower tube. Use only recommended attachments to prevent personal injury.*
- **Do not use blower near leaf or brush fires, fireplaces, barbecue pits, ashtrays, etc.** *Proper use of the blower will help avoid spreading fire.*
- **Never place objects inside the blower tubes; always direct the blowing debris away from people, animals, glass, and solid objects such as trees, automobiles, walls, etc.** *The force of air can cause rocks, dirt, or sticks to be thrown or to ricochet which can hurt people or animals, break glass, or cause other damage.*
- **Never use for spreading chemicals, fertilizers, or any other substances.** *This will prevent the spreading of toxic materials.*

Vacuum safety warnings:

- **Stop the motor and disconnect the extension cord before opening the air inlet door or attempting to insert or remove the vacuum tubes.** *The motor must be stopped and the impeller blades no longer turning to avoid serious injury from the rotating blades.*
- **Inspect the area before using the unit.** *Hard objects can be thrown through the collection bag or the housing and become dangerous missiles which can cause serious injury to the operator or others.*
- **Do not vacuum stones, gravel, metal, broken glass, etc.** *Proper use of the unit will reduce possible personal injury and/or damage to the unit.*
- **Do not attempt to vacuum water or other liquids.** *Water or other liquids entering a power tool will increase the risk of electric shock.*
- **Never run the unit without the proper equipment attached.** *When used as a vacuum, always install vacuum tubes and collection bag assembly. Make sure the collection bag assembly is completely zipped when unit is running to avoid flying debris. Use only recommended attachments.*
- **Do not vacuum discarded matches, cigars, cigarettes, or ash from fireplaces, barbecue pits, brush piles, etc.** *Avoid situations which could set the collection bag on fire. To avoid spreading fire, do not use blower near leaf or brush fires, fireplaces, barbecue pits, ashtrays, etc.*
- **Always use the shoulder strap when vacuuming.** *This will help maintain control of the power tool.*
- **Check air intake openings, elbow tube, and vacuum tubes frequently, always with the unit stopped and the power source disconnected.** *Keep vents and tubes free of debris which can accumulate and restrict proper air flow. Do not use with any opening blocked. Keep free of dust, lint, hair and anything that may reduce air flow.*

Cables

IMPORTANT

Use only 1.00mm² size cable up to 30 metres length maximum.

Maximum rating :

1.00mm² size cable, 10 amps 250 volts AC.

YOUR PRODUCT IS SUPPLIED WITH CABLE WIRED DIRECTLY INTO THE PRODUCT.

1. Flymo Mains Cables and Extension Cables are available from your local Approved Service Centre.
2. Do not wire an extension cable directly to your product yourself. Please contact your local Approved Service Centre for further information on the connectors and kits available.
3. Only use extension cables specifically designed for outdoor use.

CONNECTORS

IMPORTANT

- Flymo connectors are suitable for use with 2 core cable only. Under no circumstances should these connectors be used for earthed products.
- All Flymo connectors and cables are of splashproof construction. They are not waterproof and must not be left outside permanently nor should they be submerged or immersed in water. Do not let cable lay or trail through pools of water or splashed with water from hose pipes.

MAINS PLUG REPLACEMENT

IMPORTANT

- If the plug supplied is cut off it should be destroyed. There is an electric shock hazard if a cut off plug is inserted into a 13 amp socket.

1. **No earth required.** Flymo products are double insulated to EN60335 and under no circumstances should an earth be connected to any part of the product.
2. **Ensure the mains voltage suits your product.**
3. **IMPORTANT!**
The wires in the mains lead are coloured in accordance with the following code:
BLUE - NEUTRAL
BROWN - LIVE
The wire which is coloured BLUE must be connected to the Terminal which is marked with the letter 'N' or coloured BLACK.
The wire which is coloured BROWN must be connected to the Terminal which is marked with the letter 'L' or coloured RED.
4. It is important that the outer sheath is clamped correctly into the 3-pin plug.
5. If in doubt consult your local Service Repairer or qualified electrician before the machine is used.
6. **A 13 Amp fuse must be fitted to the Mains Plug.**
7. The normal plug fuse and household fuse only protect the electrical equipment and are not a safeguard against electrocution.

If the mains cable is damaged, it must be replaced with the correct Flymo assembly. For further information on mains cable replacement, contact: Husqvarna UK Ltd. Customer Service direct: Telephone: 0844 844 4558 UK 1800 882 350 ROI Fax: 01325 302530

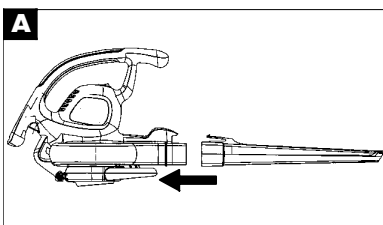
Assembly Instructions

⚠ WARNING: Switch off the product and disconnect from the mains electricity supply before opening the inlet cover or attempting to insert or remove the blower tube or vacuum tubes. The motor must be stopped and the impeller blades no longer turning to avoid serious injury from the rotating blades.

⚠ WARNING: If received assembled, ensure your product is properly assembled and all fasteners are secure.

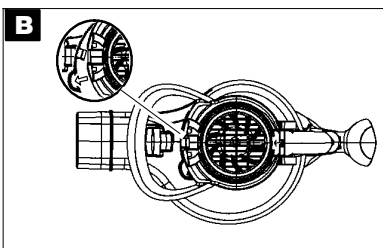
- A standard screwdriver is required for assembly.

Blower Assembly

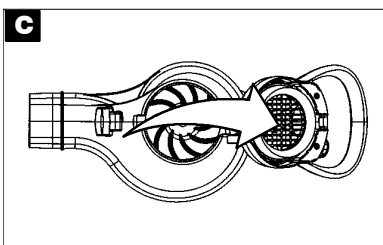


1. Switch off the product and disconnect from the mains electricity supply.
2. Align the grooves on the blower tube with the grooves on the blower outlet. Push the blower tube onto the blower outlet until it snaps into place as illustrated in **figure A**. Tube is secured to blower unit by tube release button.
3. To remove the blower tube, press the tube release button while pulling on tube.

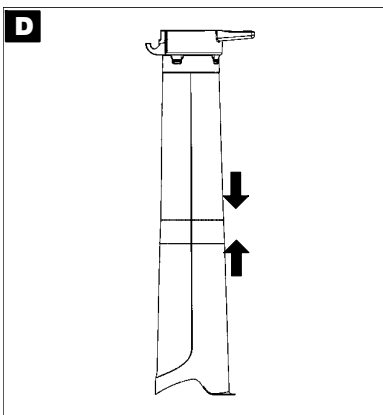
Vacuum Assembly



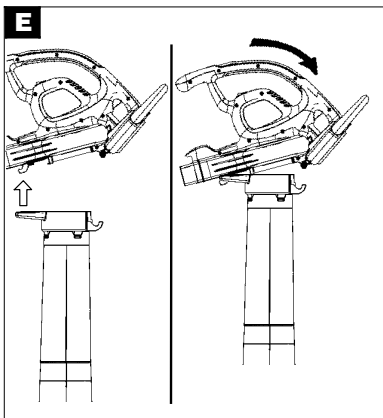
1. Switch off the product and disconnect from the mains electricity supply.
2. Open the inlet cover by releasing the latch as illustrated in **figure B**.



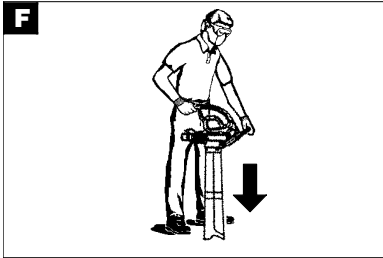
3. Pull up on the vacuum assist handle as illustrated in **figure C**. Allow latch to snap into rear handle of blower.



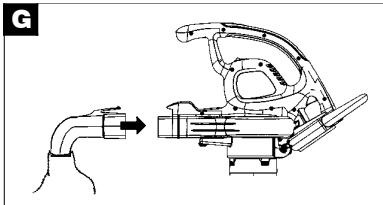
- NOTE:** There are 2 vacuum tubes, an upper tube and a lower tube. The upper tube has a hinge and hooks on one end and is cut straight on both ends. The upper tube attaches to the blower unit. The lower tube has a curved end that you point toward the ground during vacuum use. The lower tube attaches to the upper tube.
4. To attach the lower vacuum tube to the upper vacuum tube, first align the seams of the two tubes as illustrated in **figure D**. Press the two tubes together until the lower tube is fully seated in the upper tube.



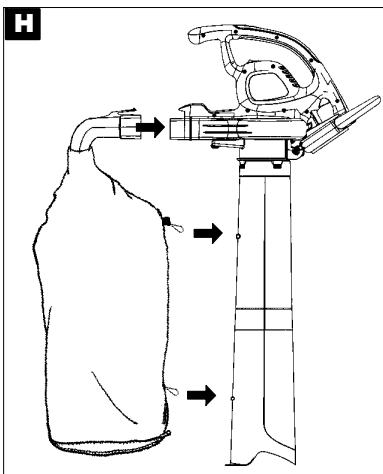
5. Place the hinge of the upper tube into the hook on the bottom side of the blower unit as illustrated in **figure E**.



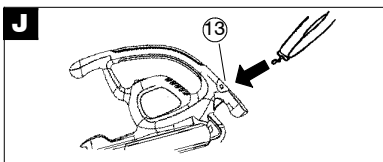
6. Using the ground for support, pivot the blower unit until tube snaps into the latches of the retaining posts on the blower unit as illustrated in **figure F**.



7. Align the grooves on the elbow tube with the grooves on the blower outlet as illustrated in **figure G**. Push the elbow tube onto the blower outlet until it snaps into place; elbow tube is secured by tube release button.

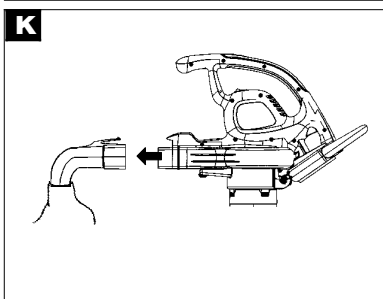


8. Clip the debris bag to the loops on the upper and lower vacuum tubes as illustrated in **figure H**.



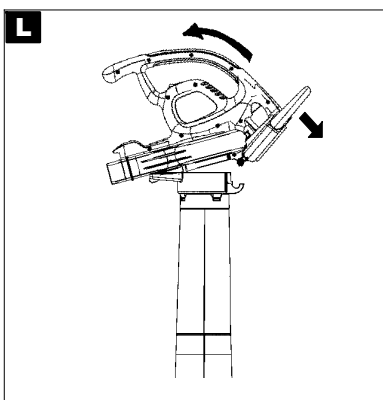
For extra support when using your product as a vacuum, a shoulder strap is included. Attach the strap to the blower unit before operation. Snap the hook onto the retainer as illustrated in **figure J**.

Converting from Vacuum Use to Blower Use



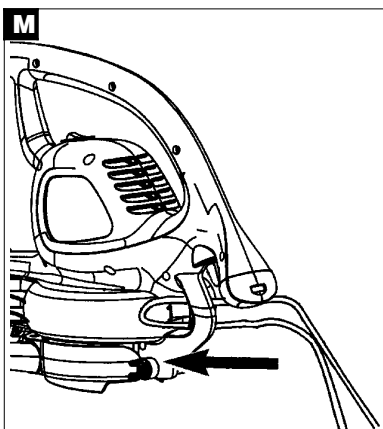
⚠ WARNING: Switch off the product and disconnect from the mains electricity supply before opening the inlet cover or attempting to install or remove the blower tube or vacuum tubes. The motor must be stopped and the impeller blades no longer turning to avoid serious injury from the rotating blades.

1. Switch off the product and disconnect from the mains electricity supply.
2. Remove the elbow tube and debris bag as illustrated in **figure K**.

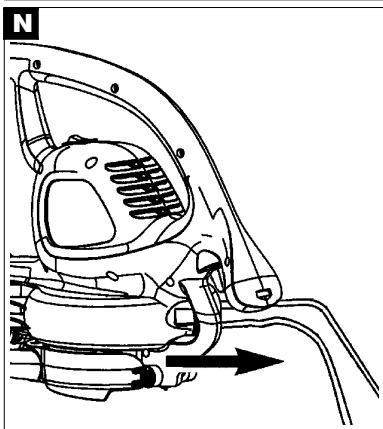


3. Remove the vacuum tubes by releasing the latch on the vacuum inlet cover and rotating the cover until the tubes are released from the latches on the retaining posts as illustrated in **figure L**.
4. Close the inlet cover and make sure it is latched closed.
5. Re-install the blower tube. Refer to BLOWER ASSEMBLY for instructions on how to attach this item.

Cable Restraint



1. Form loop in mains cable and push the loop through the slot as illustrated in **figure M**.



2. To secure, position loop over the hook and pull the cable back through the slot as illustrated in **figure N**.

Starting and Stopping

⚠ WARNING: Switch off the product and disconnect from the mains electricity supply before opening the inlet cover or attempting to install or remove the blower tube or vacuum tubes. The motor must be stopped and the impeller blades no longer turning to avoid serious injury from the rotating blades.

⚠ WARNING: You **MUST** make sure the tubes are secure before using the product.

⚠ WARNING: Do not use the blower unit without the tubes or debris bag properly attached to avoid flying debris and/or impeller contact which can cause serious injury. Always wear eye protection to prevent rocks or debris from being blown or ricocheting into the eyes and face which can result in blindness or serious injury.

Stopping your unit

Slide the ON/OFF switch to the OFF position.

Starting your unit

Slide the ON/OFF switch to the ON position.

How to Use

P



Using as a blower (figure P)

⚠ WARNING: Inspect the area before using the product. Remove all debris and hard objects such as rocks, glass, wire, etc., that can ricochet, be thrown, or otherwise cause injury or damage during operation.

Use your product as a blower for:

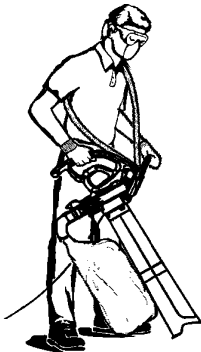
- Sweeping debris or grass clippings from driveways, sidewalks, patios, etc.
- Blowing grass clippings, straw, or leaves into piles, or removing debris from corners, around joints, or between bricks.

Direct air flow by directing the blower tube down or to one side. Always work away from solid objects such as walks, large stones, vehicles, and fences.

Clean corners by starting in corners and moving outward.

This will help prevent an accumulation of debris which could fly into your face. Be careful when working near plants. The force of the air could damage tender plants.

R



Using as a vacuum (figure R)

⚠ WARNING: Do not vacuum stones, gravel, metal, broken glass, etc., to avoid severe damage to the impeller. To avoid the possibility of electrical shock, do not attempt to vacuum water or other liquids.

Use your product as a vacuum to pick up dry material such as leaves, grass, small twigs, and bits of paper.

- For best results during vacuum use, operate your product at high speed.
- Move slowly back and forth over the material as you vacuum. Avoid forcing the product into a pile of debris as this can clog the product.
- Keep the vacuum tube about an inch above the ground for best results.

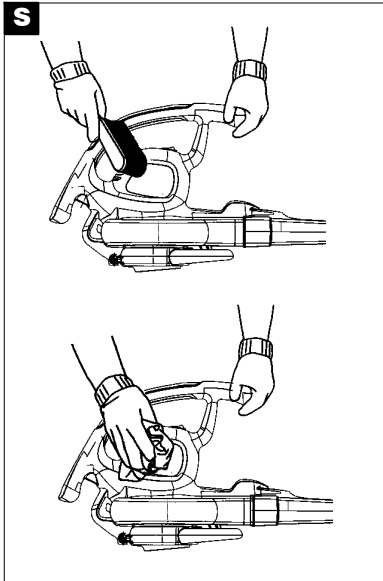
⚠ WARNING: If the product becomes clogged, switch off the product and disconnect from the mains electricity supply. Wait until the impeller has completely stopped turning, then remove the vacuum tubes. Carefully reach into the vacuum opening and clear out the clogged debris.

Maintenance

⚠ WARNING: Switch off the product and disconnect from the mains electricity supply before performing maintenance.

General recommendations

The warranty on this product does not cover items that have been subjected to operator abuse or negligence. To receive full value from the warranty, the operator must maintain the product as instructed in this manual. Various adjustments will need to be made periodically to properly maintain the product.



Before each use

Check for loose fasteners and parts

- Inlet Cover
- Blower Tube
- Vacuum Tubes
- Debris Bag

Check for damaged or worn parts

Please contact your local Approved Service Centre for further information or for replacement of damaged or worn parts.

- ON/OFF Switch - Ensure switch functions properly by moving the switch to the OFF position. Make sure motor stops; then restart motor and continue.
- Inlet Cover - Discontinue use of the product if inlet cover fails to latch properly or if it is damaged in any way.

After each use

Inspect and clean blower unit and labels

Switch off the product and disconnect from the mains electricity supply.

- After each use, inspect the complete product for loose or damaged parts.
- Using a soft brush, remove debris from all air intakes. Clean the product using a damp cloth with a mild detergent. Wipe off the product with a clean dry cloth as illustrated in figure S.

Clean debris bag

IMPORTANT: THE DEBRIS BAG MUST BE PROPERLY EMPTIED.

- You must properly empty and maintain the debris bag to avoid deterioration and obstruction of air flow.
- Remove the debris bag from the product and empty after each use. Do not store bag without emptying the bag of all contents (grass, leaves, etc.).
- Wash the bag once a year. Remove the bag from the blower and turn the bag inside out. Wash the bag with a water hose. Allow the bag to hang and dry completely before you reuse the bag.

Service

⚠ WARNING: All internal or electrical service **MUST** be performed by your local Approved Service Centre.

How to remove an object from the air intake

⚠ WARNING: Switch off the product and disconnect from the mains electricity supply before opening the inlet cover. The motor must be stopped and the impeller blades no longer turning to avoid serious injury from the rotating blades.

1. Remove the vacuum tubes.
2. Carefully reach into the vacuum opening and clear out the air intake area. Clear all debris from impeller.
3. Inspect the impeller for cracks. If cracked or damaged, do not use the product. Have parts replaced by your local Approved Service Centre. Do not attempt to replace them yourself.

Storage

⚠ WARNING: Perform the following steps after each use:

- Switch off the product and disconnect from the mains electricity supply.
- Allow motor to cool before storing or transporting.
- Store the product with all guards in place. Position the product so that any sharp object cannot accidentally cause injury.
- Store the product disconnected from the mains electricity supply, well out of the reach of children.

Seasonal storage

Prepare the product for storage at the end of the season or if it will not be used for 30 days or more.

If your blower is to be stored for a period of time:

- Switch off the product and disconnect from the mains electricity supply.

- Clean the entire product before lengthy storage.
- Open inlet cover and clean any dirt, grass, or debris that has collected. Inspect the blower and all tubes. Close and make sure the cover is latched.
- Clean air vents and air inlet of debris.
- Store your product in a well ventilated area and covered, if possible, to prevent dust and dirt accumulation. Do not cover with plastic. Plastic cannot breathe and may cause condensation and eventual rust or corrosion.
- Check the product for loose screws. Replace any damaged, worn, or broken parts.

Fault Finding Hints

Fails To Operate

1. Is the product switched on?
2. Is the blower tube, vacuum tubes, or elbow tube/debris bag fitted correctly?
3. Check the fuse in the plug; if blown, replace.
4. Fuse continues to blow?

Immediately disconnect from the mains electricity supply and consult your local Approved Service Centre.

Poor Blowing

1. The air inlets may be blocked; clean all air inlets.
2. Blower outlet may be blocked. Remove blower tube and clear blockage.
3. If poor blowing persists?
Immediately disconnect from the mains electricity supply and consult your local Approved Service Centre.

Poor Vacuum

1. The air inlets may be blocked; clean all air inlets.
2. The vacuum tubes, elbow tube or debris bag inlet may be blocked. Remove and clear blockage.
3. If poor vacuuming persists?
Immediately disconnect from the mains electricity supply and consult your local Approved Service Centre

Excessive Vibration

1. Inspect the impeller for damage and replace if necessary.
2. If excessive vibration persists?
Immediately disconnect from the mains electricity supply and consult your local Approved Service Centre.

Guarantee & Guarantee Policy

If any part is found to be defective due to faulty manufacture within the guarantee period, Husqvarna UK Ltd., through its Authorised Service Repairers will effect the repair or replacement to the customer free of charge providing:

- (a) The fault is reported directly to the Authorised Repairer.
- (b) Proof of purchase is provided.
- (c) The fault is not caused by misuse, neglect or faulty adjustment by the user.
- (d) The failure has not occurred through fair wear and tear.
- (e) The machine has not been serviced or repaired, taken apart or tampered with by any person not authorised by Husqvarna UK Ltd.
- (f) The machine has not been used for hire.
- (g) The machine is owned by the original purchaser.
- (h) The machine has not been used outside of the country for which it was specified.
- (i) The machine has not been used commercially.

*This guarantee is additional to, and in no way diminishes the customers statutory rights.

Failures due to the following are not covered, therefore it is important that

you read the instructions contained in this instruction manual and understand how to operate and maintain your machine:

Failures not covered by guarantee

- * Failures as a result of not reporting an initial fault.
- * Failures as a result of sudden impact.
- * Failures as a result of not using the product in accordance with the instructions and recommendations contained in this instruction manual.
- * Machines used for hire are not covered by this guarantee.
- * The following items listed are considered as wearing parts and their life is dependent on regular maintenance and are, therefore not normally subject to a valid warranty claim: electric mains cable, debris bag.

* Caution!

Husqvarna UK Ltd. does not accept liability under the warranty for defects caused in whole or part, directly or indirectly by the fitting of replacement parts or additional parts that are not either manufactured or approved by Husqvarna UK Ltd., or by the machine having been modified in any way.


Service Recommendations

1. We strongly recommend that your product is serviced at least every twelve months, more often in a professional application.
2. Always use genuine Flymo Spare Parts.
3. Prepacked spares are available from most Flymo Approved Service Dealers.
4. Your product is uniquely identified by a silver and black product rating label.
5. If you have a problem with your machine contact your local Approved Service Centre ensuring you have full details of your product as described on the product rating label.
6. **Should it be necessary for work to be carried out by your Service Centre, it is important to take your complete machine including cable and any extension cables used.**
A network of specialist dealers can be found in your local Yellow Pages. To obtain service on your Flymo product simply telephone or visit your local Service Centre. Should you require service under the terms of our guarantee the Service Centre will require proof of purchase.
All of the centres listed stock genuine Flymo Spare Parts.
NOTE: Our Service Repairers act on their own behalf and are not empowered to commit or legally bind Husqvarna UK Ltd. in any manner whatsoever.

Environmental Information

- Awareness of the environment must be considered when disposing of 'end-of-life' product.
- If necessary, contact your local authority for disposal information.



The symbol  on the product or on its packaging indicates that this product may not be treated as household waste. Instead it shall be handed over to the applicable collection point for the recycling of electrical and electronic equipment. By ensuring this product is disposed of correctly, you will help prevent potential negative consequences for the environment and human health, which could otherwise be caused by inappropriate waste handling of this product. For more detailed information about recycling of this product, please contact your local council office, your household waste disposal service or the shop where you purchased the product.

Specifications

Type	PowerVac 3000 (PV3000)
Motor - power consumption	3000 W max.
Mains voltage	220-240 V
Frequency	50 Hz
Vacuum flow	170 l/s
Mulch ratio	16:1
Blow speed	Max. 310 km/h
Weight blower/vacuum	Max. 4,5 kg
Capacity of debris bag	45 l
Sound pressure level	83,2 dB(A), KpA: 3,0 dB(A)
Sound power level L_{WA}	Measured 99,7 dB(A) / guaranteed 102 dB(A)
Hand/arm vibration a_{vhw}	3,25 m/s ² , K: 1,5 ms ²

EC Declaration of Conformity

Husqvarna AB, 561 82

Husqvarna, Sweden

Declare under our sole responsibility that the product(s):

Category **Electric Leaf Collector**

Model(s) **PowerVac 3000 (PV3000)**

Identification of Series **See Product Rating Label**

Year of Construction **See Product Rating Label**

Complies with the essential requirements & provisions of the following EC Directives:

2006/42/EC, 2004/108/EC, 2000/14/EC

based on the following standards applied:

EN 60335-1, Part of IEC 60335-2-100, Part of EN 15503, EN 62233,

EN 55014-1, EN 55014-2, EN 61000-3-2, EN 61000-3-3, EN ISO 3744,

ISO 11094

2000/14/EC: The Measured Sound Power L_{WA} & Guaranteed Sound Power L_{WA} values are according to the tabulated figures.

Conformity Assessment Procedure . . . Annex V

Measured sound power level 99,7 dB(A)

Guaranteed sound power level 102 dB(A)

Newton Aycliffe, 15/11/2011



P. Lameli

Global R&D Director - Hand held

Keeper of technical documentation

Our policy of continuous improvement means that the specification of products may be altered from time to time without prior notice.

Copyright © 2011 Flymo S.A.
All rights reserved.

Flymo® and other product and feature names are registered or unregistered trademarks of Flymo S.A.

Husqvarna AB
561 82
Huskvarna
Sweden

115470126 Rev. 1 12/15/2011

